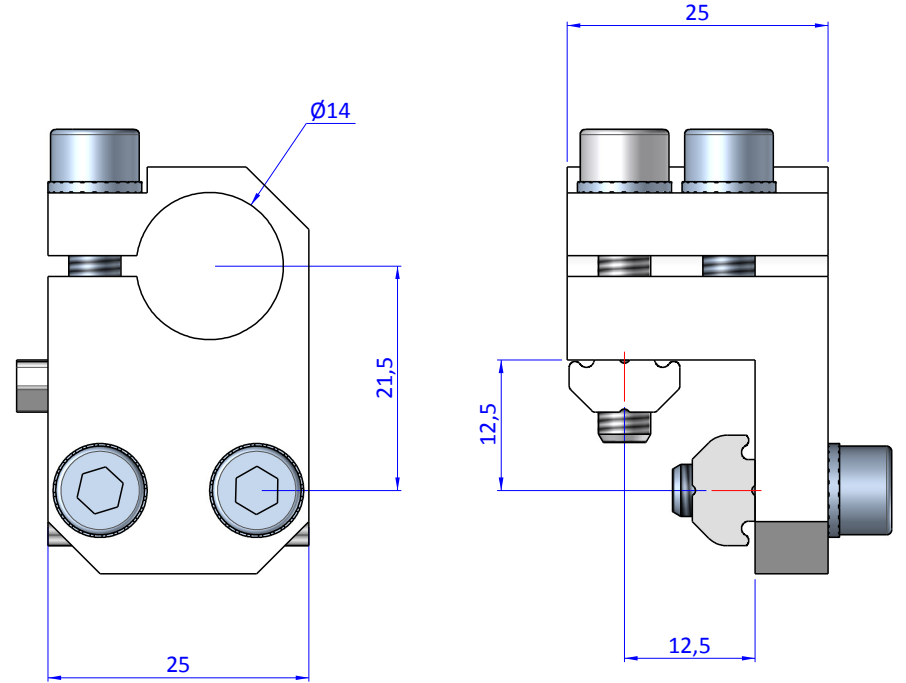
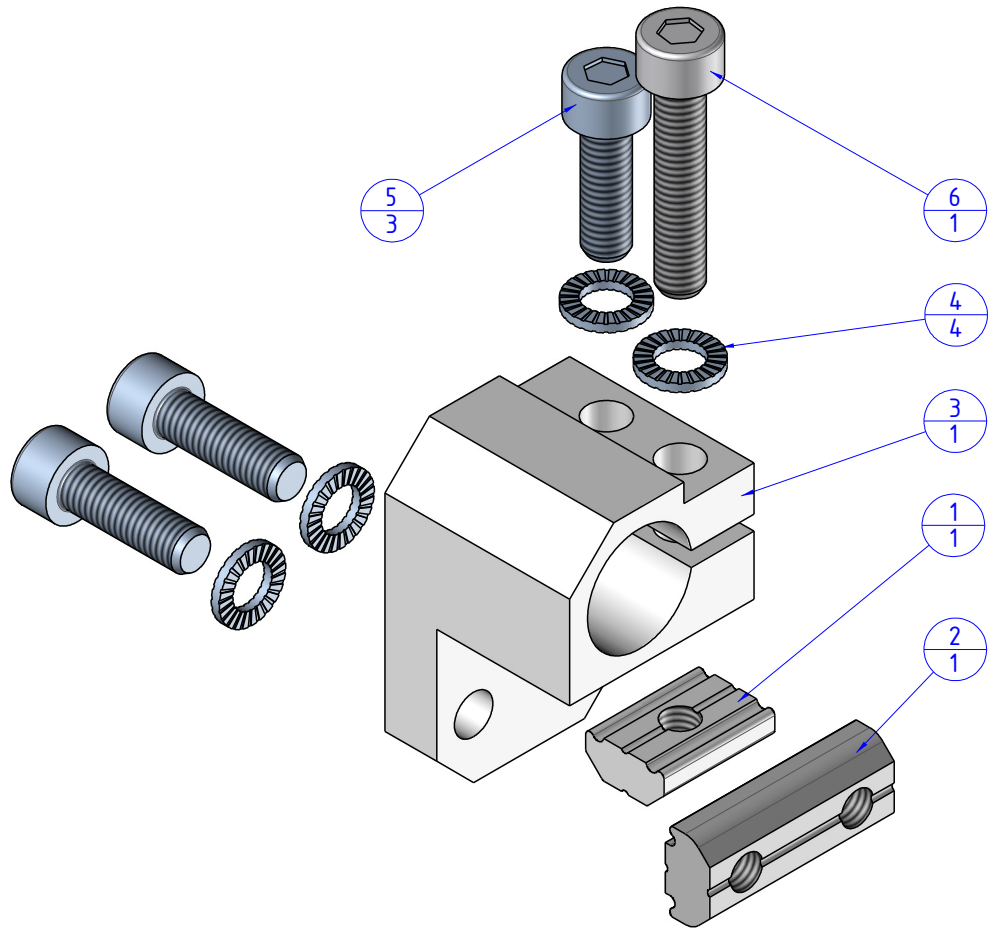


THE PROPERTY OF THE DRAWING IS ESTABLISHED BY LAW. IT IS FORBIDDEN TO PRODUCE OR SHOW IT TO THIRD PART. WITHOUT A WRITTEN AGREEMENT.

Item	Name	Q. ty
1	CA.GWP.5U	1
2	CA.GWP.5.15	1
3	KSW.14.X	1
4	R.5.SCH	4
5	V.TCE5x16	3
6	V.TCE5x25	1



Format A3

UNI 936-76

		DESIGNED FROM		REVIEW	
		FPSERVICES		A	
GENERAL TOLERANCE		DATE	WEIGHT	CODE	
UNI - ISO 2768		30/04/2016	0,059kg	CA.KSW.14.X	
CLASSE f		CA.KSW.14.X		CA.KSW.14.X	